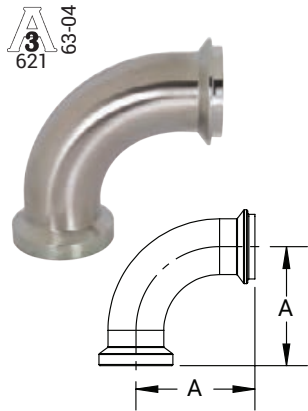


I-Line/Q-Line - Ferrules

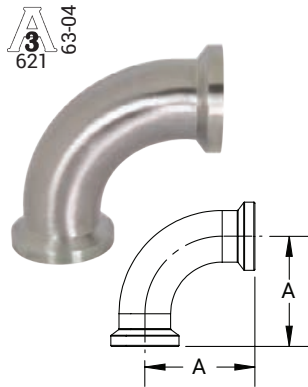
Q-Line Weld Ferrules - 14WQ

Tube O.D.	A (in)	B (in)	C (in)	304 Stainless Steel Part #
1"	.53	.87	1.00	14WQ-G100
1-1/2"	.56	1.37	1.50	14WQ-G150
2"	.81	1.87	2.00	14WQ-G200
2-1/2"	.94	2.37	2.50	14WQ-G250
3"	.94	2.87	3.00	14WQ-G300
4"	1.00	3.83	4.00	14WQ-G400



90° Female I-Line x Male I-Line Elbows - B2FI

Tube O.D.	A (in)	304 Stainless Steel Part #
1"	2.29	B2FI-G100
1-1/2"	3.20	B2FI-G150
2"	4.04	B2FI-G200
2-1/2"	4.91	B2FI-G250
3"	5.72	B2FI-G300
4"	7.35	B2FI-G400



90° Female I-Line Elbows - B2CI

Tube O.D.	A (in)	304 Stainless Steel Part #
1"	2.29	B2CI-G100
1-1/2"	3.20	B2CI-G150
2"	4.04	B2CI-G200
2-1/2"	4.91	B2CI-G250
3"	5.72	B2CI-G300
4"	7.35	B2CI-G400



90° Male I-Line Elbows - B2EI

Tube O.D.	A (in)	304 Stainless Steel Part #
1"	2.29	B2EI-G100
1-1/2"	3.20	B2EI-G150
2"	4.04	B2EI-G200
2-1/2"	4.91	B2EI-G250
3"	5.72	B2EI-G300
4"	7.35	B2EI-G400

M